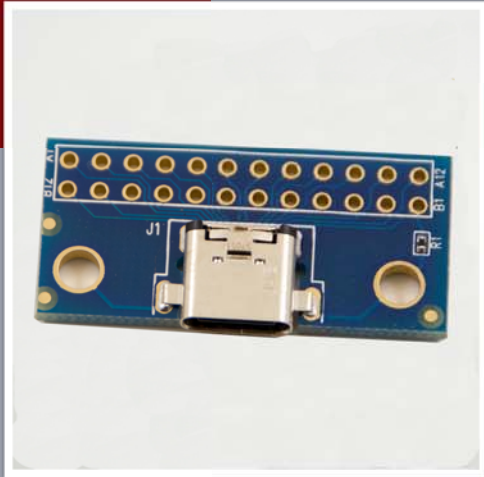


USB Type C Female Receptacle Breakout board

BRK-USB-C



Connector Type:
USB Type C receptacle

The BRK-USB-C is a breakout board designed for adding a USB Type C connector to any prototyping or DIY project.

Mounting Holes:
4-40 Plated through and grounded

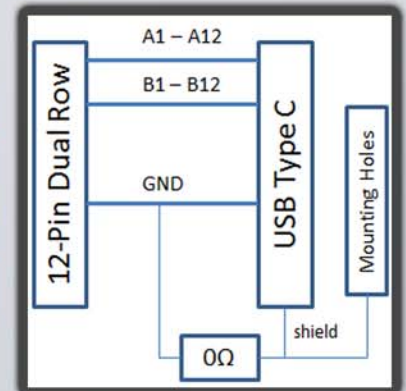
A standard 0.1" pitch, 12-pin, dual row header can be soldered to J2, allowing developers access to the USB signals.

Features:
Grounded Shield

The breakout board also features a grounded shield which makes it suitable for applications subject to high frequency noise. Grounded mounting holes allow the board to be mounted and secured easily.

Material:
FR-4, gold plated

A1	A2	A3	A4	A5	A6	A7	A8	A9	A10	A11	A12
GND	TX1+	TX1-	Vbus	CC1	D+	D-	SBU1	Vbus	RX2-	RX2+	GND
GND	RX1+	RX1-	Vbus	SBU2	D-	D+	CC2	Vbus	TX2-	TX2+	GND
B12	B11	B10	B9	B8	B7	B6	B5	B4	B3	B2	B1



PCB Thickness:
0.062" (1.57mm)

Form Factor:
1.30" x 0.60"
(33.02mm x 15.24mm)

Operating Temp:
-20°C to +60°C

Operating Humidity:
5% to 95%
non-condensing

Storage Temp:
-40°C to +70°C

External Connectors:

USB Type C Connector J1
0.1" Connector (Not Populated)..... J2

Ordering Information

BRK-USB-C USB Type C receptacle Breakout
BRK-USB-C-R Product in retail packaging with UPC/EAN barcode