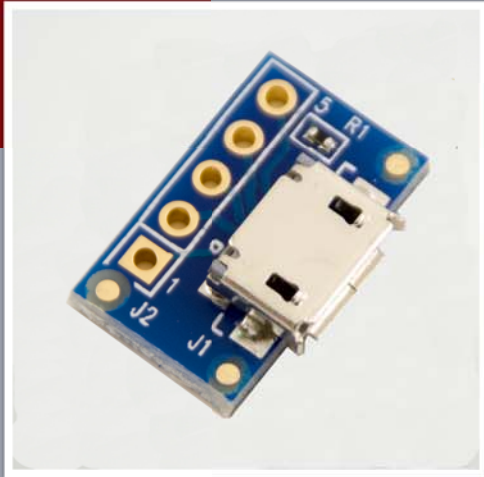


Mini Micro USB Breakout board

BRK-uUSBm



Connector Type:
Micro USB A/B

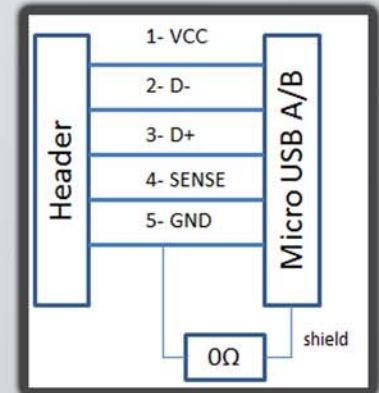
Features:
Grounded Shield

Material:
FR-4, gold plated

The BRK-uUSBm is a breakout board designed for adding a Micro-USB interface to any prototyping or DIY project.

A standard 0.1" pitch, 5-pin header can be soldered to J2, allowing developers access to the USB signals.

The breakout board also features a grounded shield which makes it suitable for applications subject to high frequency noise.



PCB Thickness:
0.062" (1.57mm)

Form Factor:
0.36" x 0.60"
(9.15mm x 15.24mm)

Operating Temp:
-20°C to +60°C

Operating Humidity:
5% to 95%
non-condensing

Storage Temp:
-40°C to +70°C

External Connectors:

μUSB Connector J1
0.1" Connector (Not Populated)..... J2

Ordering Information

BRK-uUSBm Mini μUSB Breakout Board
BRK-uUSBm-R..... Product in retail packaging with UPC/EAN barcode